

4.5 cu. ft. Front Load Washer

- 4.5 cu. ft. Ultra Large Capacity
- 6Motion™ Technology
- 8 Cycles / 6 Options
- ColdWash™ Option
- Direct Drive Motor (10-Year Limited Warranty)
- NeveRust™ Stainless Steel Tub
- SmartDiagnosis™



COLOR AVAILABILITY

- WM3400CW – White

CAPACITY & MATCHING DRYERS

Capacity (cu. ft.)	4.5
Matching Electric Dryer	DLE3400W
Matching Gas Dryer	DLG3401W

APPEARANCE

Electronic Controls with LED Display	Yes
Hard Buttons	Yes
Touch Buttons	Yes
Dial-A-Cycle™	Yes

ENERGY & WATER

ENERGY STAR® Certified	Yes
CEE Qualified	Tier 2
Integrated Modified Energy Factor (IMEF)	2.92
Integrated Water Factor (IWF)	2.9

WASH CYCLES

Number of Cycles	8
Wash Cycles	Normal, Perm. Press, Heavy Duty, Delicates, Towels, Speed Wash, Bedding, TubClean™

WASH OPTIONS

Number of Options	6
Options	Prewash, Delay Wash, Cold-Wash, ColdWash, Extra Rinse, Rinse+Spin, Control Lock

WASH DETAILS

Internal Heater	No
Number of Wash / Rinse Temps	5
Wash / Rinse Temps	Hot, Warm, Semi Warm, Cold, Tap Cold
Number of Spin Speeds	3
Spin Speeds	High, Medium, Low
Max RPM	1,300
Water Levels	"Load Sensing*"
Number of Soil Levels	3
AAFA Certified	No

FABRIC CARE

AI DD™	No
Wash Technology	Standard
Steam Technology	No
Allergiene™ Cycle	No
Sanitary Cycle	No
ColdWash™ Option	Yes
SenseClean™ System	Yes

CONVENIENCE

TrueBalance™ Anti-Vibration System	Yes
Dispenser Type	4-Tray (Prewash, Main Wash with Liquid Detergent Cup, Bleach, Fabric Softener)
End of Cycle Signal	Yes
LoadSense	Yes
Control Lock	Yes
Auto Suds Removal	Yes
4 Adjustable Leveling Legs	Yes
ADA Compliant	No

SMART FEATURES

Wi-Fi Enabled	No
ThinQ® Technology	No
SmartDiagnosis™	Yes

MOTOR AND AGITATOR

Motor Type	Inverter Direct Drive Motor
Axis	Horizontal

MATERIALS AND FINISHES

NeveRust™ Stainless Steel Drum	Yes
Door / Rim	Glass / White
Door Cover	Clear Round Cover

TECHNICAL SPECS

Electrical Requirements	120V, 60 Hz, 10 Amps
Type	Electric
Power Outlet Location	Within 60" of Either Side
Plug Type	3-Prong (Cord Attached to Unit)
Min. / Max. Water Pressure	20 - 120 psi

INCLUDED ACCESSORIES

Drain Hose, Non-Skid Pads, Hole Caps, Wrench, Tie Strap, Elbow Bracket (for Securing Drain Hose)

OPTIONAL ACCESSORIES

Pedestal	WDP6W
Pedestal (W x H x D)	27" x 13 5/8" x 28"
ADA-Compliant Pedestal Riser	WDPS2W
ADA-Compliant Pedestal Riser (W x H x D)	27" x 5 1/8" x 27"
LG Sidekick™ Pedestal Washer	WD100CW
LG Sidekick™ Pedestal Washer (W x H x D)	27" x 14 1/8" x 30 3/4"
Stacking Kit	KSTK4

DIMENSIONS

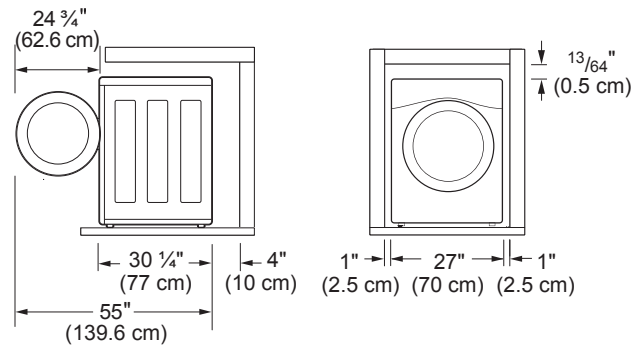
Product (W x H x D)	27" x 39" x 30 1/4"
Depth with Door Open	55"
Cutout Dimensions (W x H x D)	29" x 39 1/4" x 34 1/4"
Carton Dimensions (W x H x D)	29 3/4" x 41 7/8" x 31 1/2"
Approx. Weight (Product / Carton)	187.4 / 209.4 lbs.

LIMITED WARRANTY

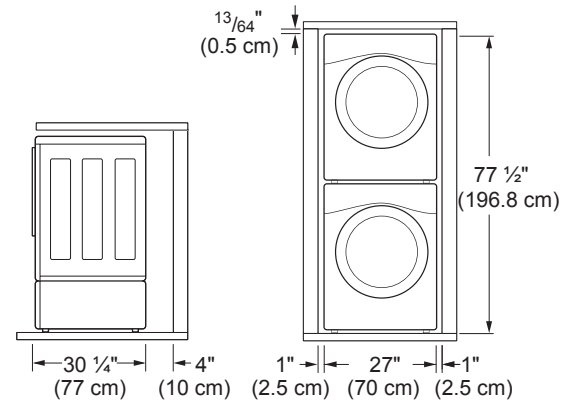
Parts and Labor	1 Year
Direct Drive Motor	10 Years (Parts Only)
Drum	3 Years (Parts Only)

DIMENSIONS / CLEARANCES

FLOOR INSTALLATION



STACKING OR PEDESTAL INSTALLATION



INSTALLATION NOTES

- To ensure sufficient clearance for water lines, the drain line and airflow, allow minimum clearances of at least 1 inch (2.5 cm) at the sides and 4 inches (10 cm) behind the unit. Be sure to allow for wall, door, or floor moldings that may increase the required clearances.
- Install the washing machine on a solid floor that is strong and rigid enough to support the weight of the washing machine, even when fully loaded, without flexing or bouncing. If the floor has too much flex, you may need to reinforce it to make it more rigid. If the floor is not solid, it may cause severe vibration and noise.
- If installing with an optional pedestal or SideKick™, refer to the instructions packaged with pedestals for dimensions and clearances.

*Adjusted by sensor except during Speed Wash